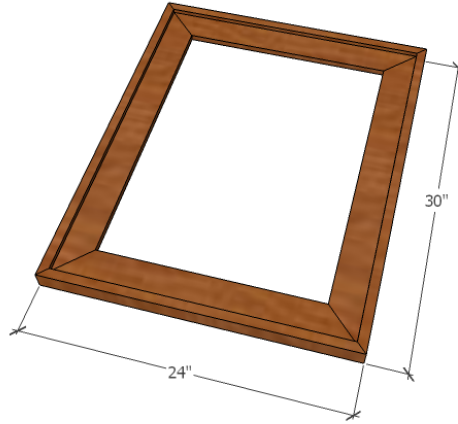




*Build a large farmhouse frame for  
about \$10.00*



## **THE PLANS:**



### **Materials Needed:**

(2) 1x3x8- You could get away with (1) 1x3x8 if you have a scrap board approximately 24" long

(2) 1x2x8- You could get away with (1) 1x2x8 if you have a scarp board a little longer than 24" long

2" finish nails

1 1/4" finish nails

1 1/2" screws

Hanging Wire

Mounting brackets

Backing (if needed- 2x4 1/4" sheet of plywood)

Wood glue

Sandpaper

Finishing supplies (stain, paint, etc.)

**Tools Needed:**

Power Drill

Miter saw

Router

clamps

square

measuring tape

pencil

safety gear (hearing protection, safety glasses, etc.)

**Cut List (What I cut for a single 18"x24" frame):**

*I'm providing a cut-list for reference, but I would not pre-cut. Consider measuring your cuts as you go.*

(2) 1x3 @ 28 1/2" mitered cut @ 45-degrees (frame sides)

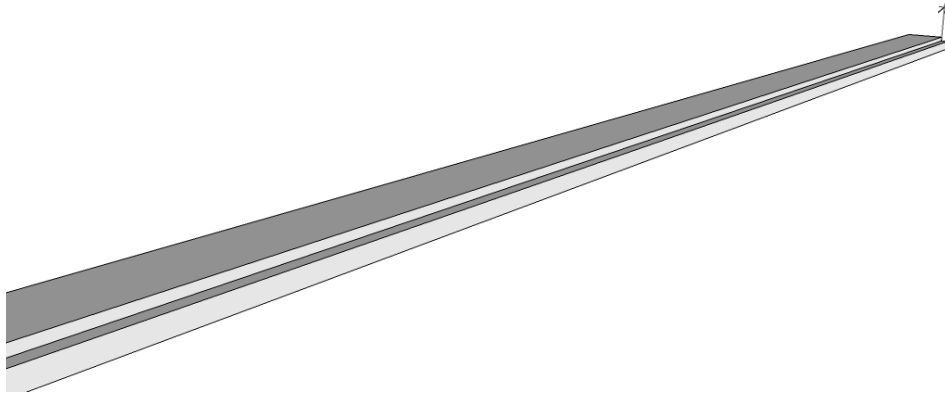
(2) 1x3 @ 22 1/2" mitered cut @ 45-degrees (frame top and bottom)

(2) 1x2 @ 24" mitered cut @ 45-degrees (trim top and bottom)

(2) 1x2 @ 30" mitered cut @ 45-degrees (trim sides)

# The Project:

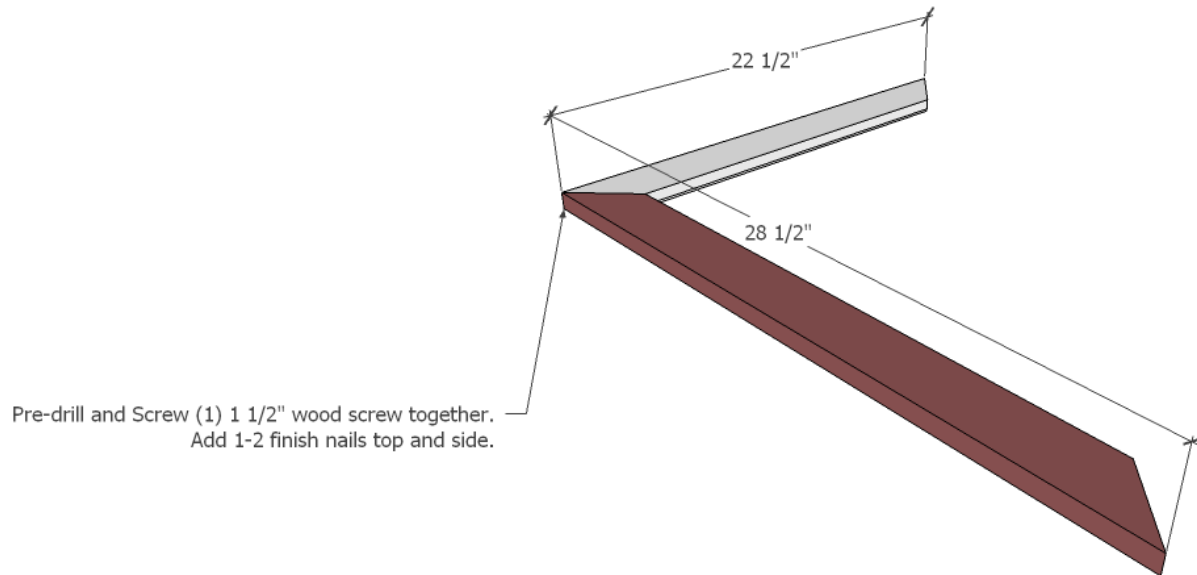
## STEP 1:



Because of the miter cuts, I could rabbet the edges first. If I was using half-lap or square butt joints it'd be better to do it after I had everything cut and laid out, or maybe even after the frame was built. I started by routing my 1x3 boards to create a rabbeted edge. I used a 3/8" straight bit set to a depth of 1/4". You will only need approximately 1/3 of the 2<sup>nd</sup> board so make sure you don't rabbet the entire 2<sup>nd</sup> board if you don't want a wasted board.



## STEP 2:



Pre-drill and Screw (1) 1 1/2" wood screw together.  
Add 1-2 finish nails top and side.

Set your miter saw @ 45-degrees. Cut (2) 1x3 @ 22 1/2", with the miter cuts non-parallel. Pay attention to your rabbeted edge as you are cutting. You want the rabbet edge to line up on the inside edge of the frame. Cut (2) 1x3 @ 28 1/2". Mock the frame up to ensure everything matches up and your miters are true and square. Using wood glue on the miters, attach your top board with a side board. Check for square. Counter sink a 1 1/4" wood screw to strengthen the joint, followed by one or two 2" finish nails top and side.



Measure from edge of backing

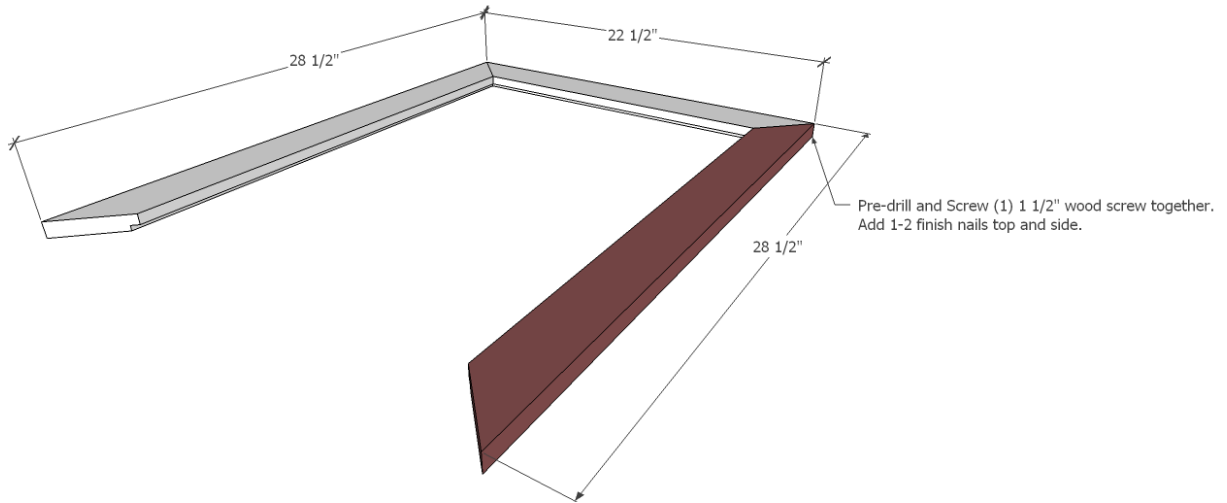


I used a stop to ensure the cuts came out the same

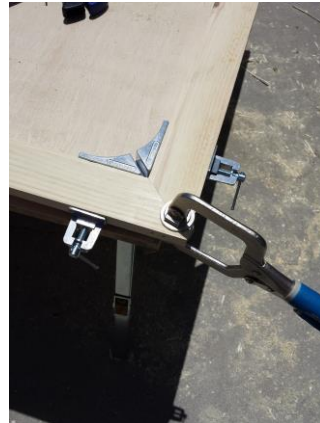


Notice the rabbet is on the inside

### STEP 3:

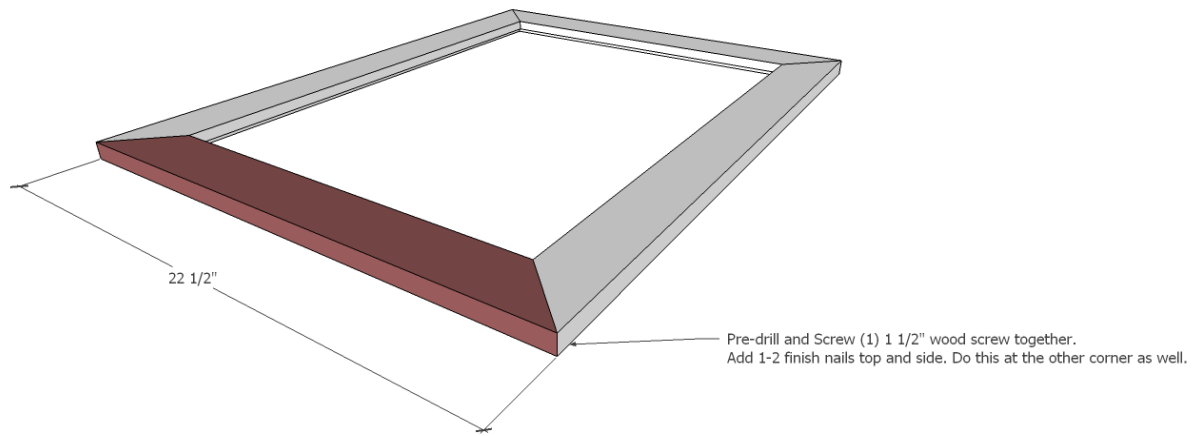


Repeating the process from step 2, attach the other side board. Again, check for square.



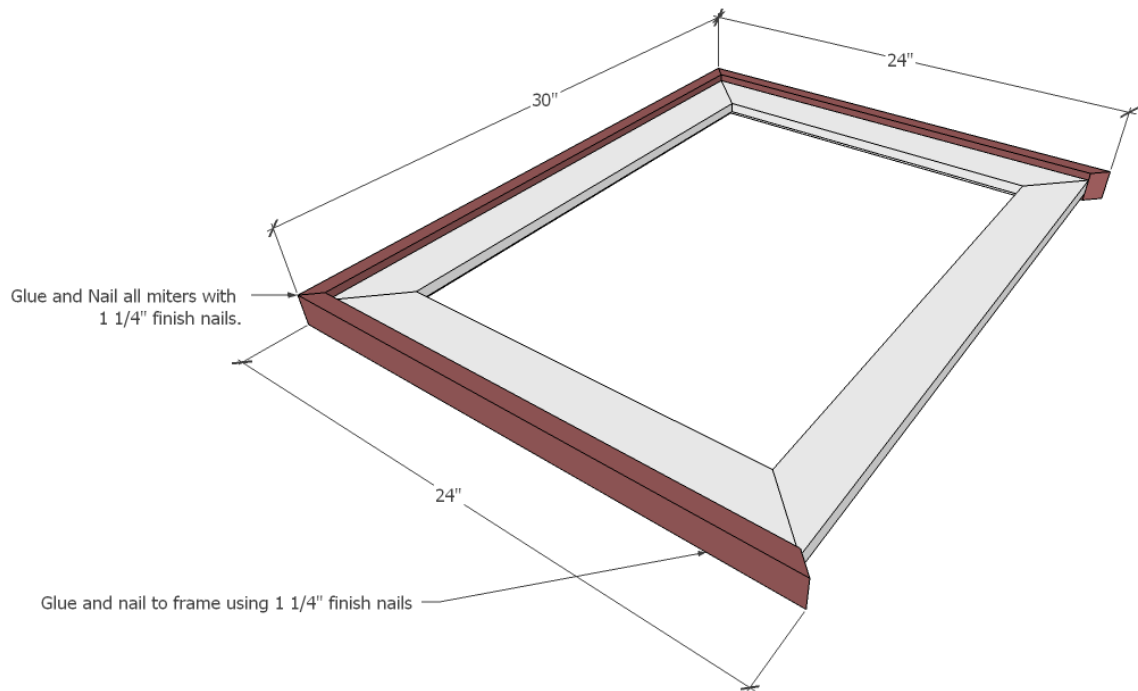
Pre-drill with countersink, then nail with 2" finish nails

**STEP 4:**



Using the same steps above, attach the bottom board to complete the frame inlay. Check for square.

## STEP 5:



It's time to cut the trim. Keeping your miter at 45-degrees, cut your 1x2 boards to fit. Again, you want non-parallel miters. In this case I cut (2) @ 30" for the sides and (2) @ 24" for the top and bottom trim pieces. Once your trim is cut, place the frame on a 3/8" spacer.

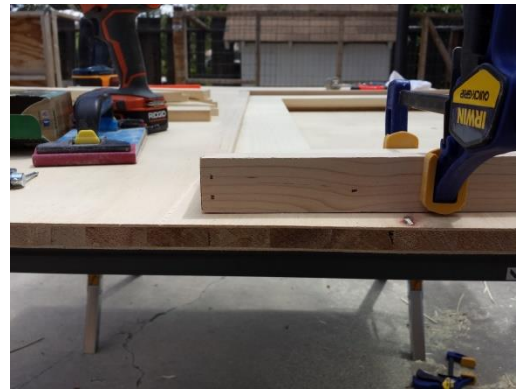
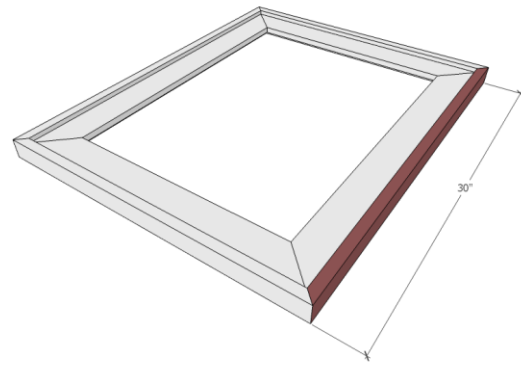


Marking where I need my miter to end

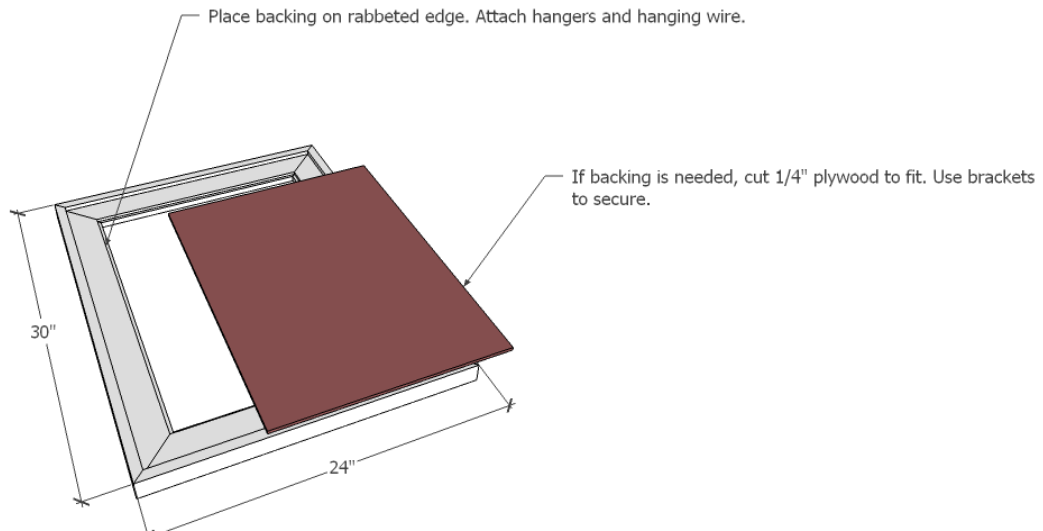


Some scrap trim made a great spacer. I put some under the top and bottom of the frame.

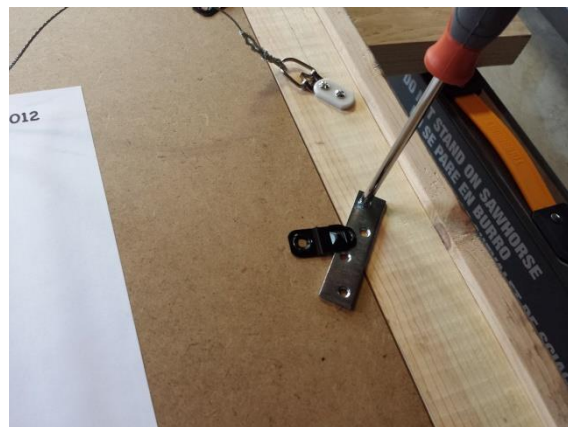
Use glue on the edge of the frame as you add the trim. Also glue the miters together as well. Being careful not to blow a nail through the front (or back) of the frame, nail the trim to the frame with 1 ¼" finish nails. Put (2) nails in the miters as well.



## STEP 6:



If you need a backing for the frame, measure the size you will need. Measuring to the edge of the rabbet joint, I had a bit more (1/8") than 18"x24". Using a table saw or circular saw with an edge guide, cut your backing. Add 1-2 brackets to secure the backing to the frame. Attach mounting hangers and hanging wire if desired.



## FINISHING STEPS:



All that's left at this point is to fill the holes with wood filler (if desired) and sand the project. Be sure to vacuum the sawdust off the project, and wipe down with soft, damp cloth. Add stain, paint or both depending on your desired look.